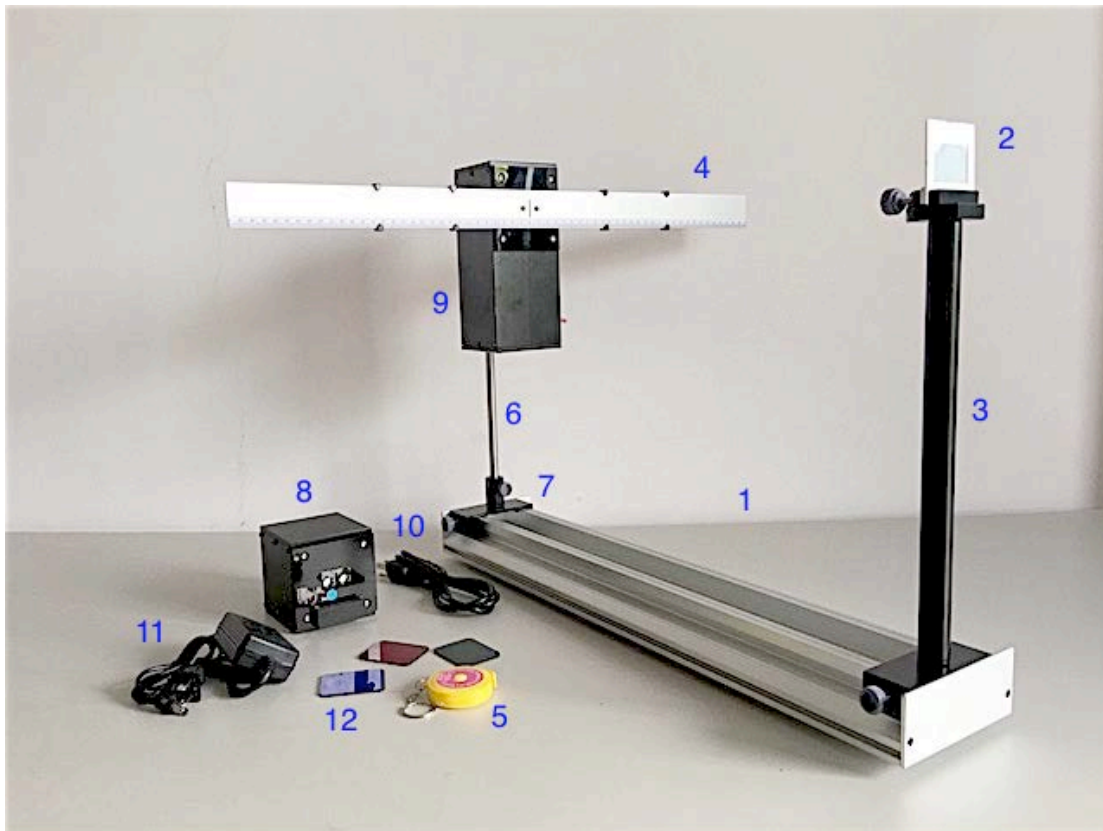


F23 The Measurement of Wavelength Spectrum on Grating Observation



F23 The Measurement of Wavelength Spectrum on Grating Observation

Experiments:

1. Observation of continuous spectrum from incandescent lamp
2. Determination the wavelength of emission spectrum from fluorescent lamp
- 3..Compare the absorption spectrum of different color filter from Incandescent lamp

Specification:

1. Aluminum experimental platform x1

Aluminum alloy, a 3 D biconvex guide track ,on the top surface, is fastened by U-shaped clips at below and both sides, one of which is adhered to an meter of inclination of 45-degree. And the type of three-point level-supporter of the size 30 x12x4.5cm, at both ends, is subjected.

2. Grating 500lines/mm x1
3. Grating holder with support rod and slide x1
4. Alum.meter \pm 30cm attach magnet with 4 movable marker
5. 1m long measuring tape x1
6. Stainless bar 30cm x1
7. Alum slide fixer x1
8. Incandescent lamp (DC12V) x1
9. Compact florescent lamp with mercury vapor (AC110V or AC220V) x1
10. Electric cord AC110V/220V x1
11. Power adaptor AC/110V or 220V - DC 12V x1
12. Filter, red x1, green x1, bluex1